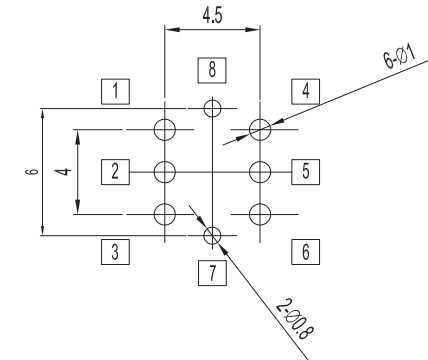
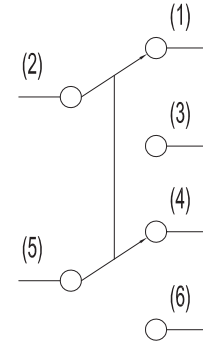
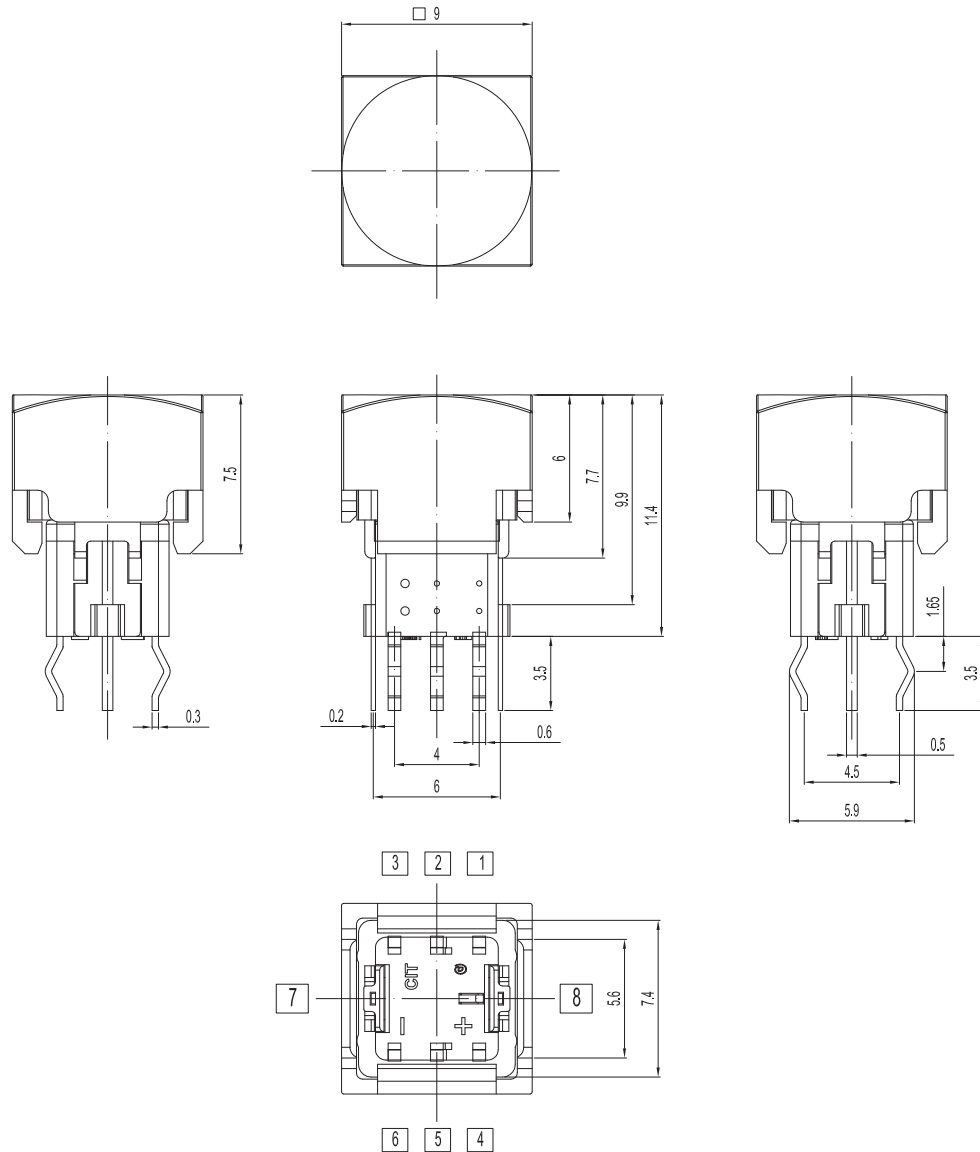


Prototype: we keep the right to change without notice.

DIMENSION	TOLERANCE
BELOW 10 mm	± 0.3
10~100 mm	± 0.5
ABOVE 100 mm	± 0.8
ANGLE	± 3°

CIRCUIT DIAGRAM

P.C.B LAYOUT



COLOR OF LED

G	Green	Y	Yellow
R	Red	B	Blue
O	Orange	W	White
X	Without		

1. RATING : 12 V DC , 50 mA .
2. CONTACT RESISTANCE : 100 mΩ MAX .
3. INSULATION RESISTANCE : 500 V DC , 100MΩ MIN .
4. OPERATION FORCE : 250± 50 gf .
5. OPERATION TEMPERATURE RANGE : -20°C ~ +70°C .
6. OPERATION LIFE : 50,000 CYCLES .

△				DATE	2011/11/16	UNIT	mm	MODE	PUSH SWITCH
△				APPROVAL	KAVEN	SCALE	1 : 1	PART	PS020
△				CONFIRM	ALAN	VIEW	⊕ ≡	2D FILE NAME	
	DATE	APPROVAL	DESIGN	ENGINEERING CHANGE DESCRIPTION	DESIGN	JASON	VER.	01	3D FILE NAME

WB Well Buying Industrial Co.,Ltd.